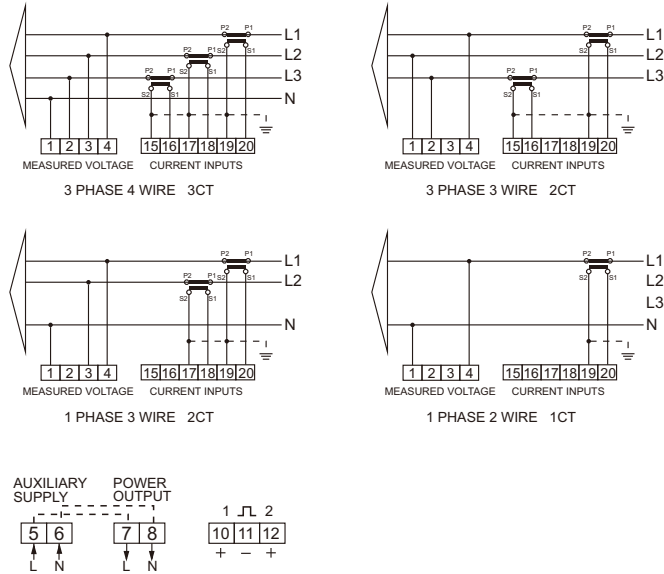


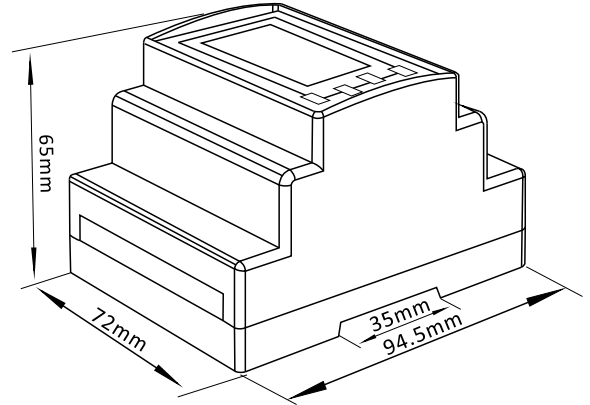


## Datasheet

### Wiring Configuration



### Dimension Drawing



Height 94.5mm  
Width 72mm  
Depth 65mm

### Conformity References

**Electromagnetic Compatibility:** EN61326-1:2013 & EN61326-2-3:2013

**Low Voltage Directive:** EN 61010\_1:2010+A1:2019 & EN 61010-2-30:2010

**MID DIRECTIVE:** 2014/32/EU